

PHILIPPGROUP

PHILIPP Threaded adapter



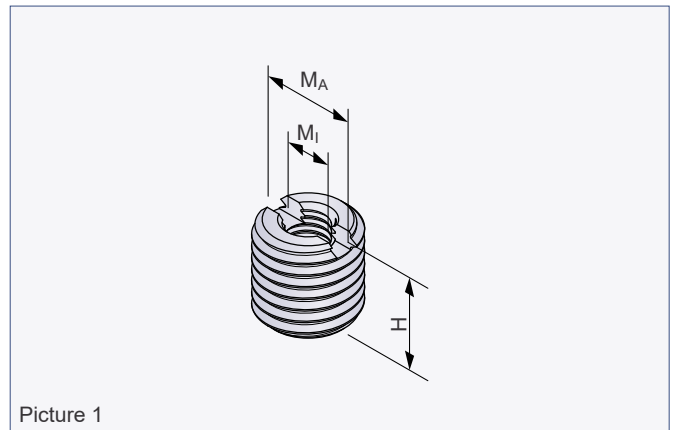
PHILIPP Threaded adapter

The Threaded adapter is made of steel and is used to fix threaded anchors or sockets to a steel or wooden mould. While using such a Threaded adapter a tight fixation and installation flush to the surface is guaranteed.

The adapter has a slot on the face side in order to remove it easily with a tool from the anchor (Picture 1).



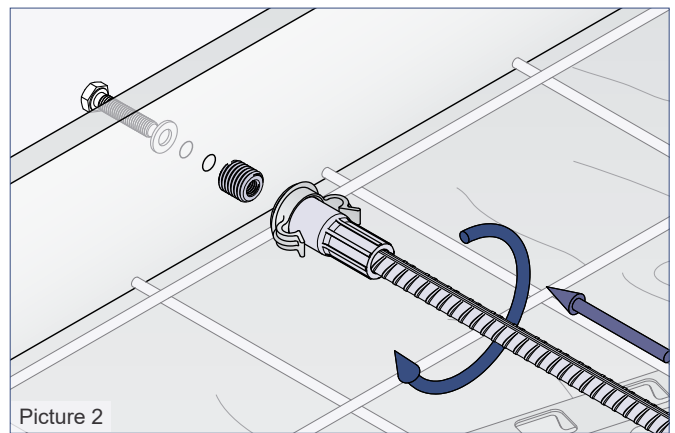
Because of the flush-to-surface installation of the adapter it can only be used with the PHILIPP lifting devices Wirbelstar, Lifting loop with threaded end and Lifting loop plus.



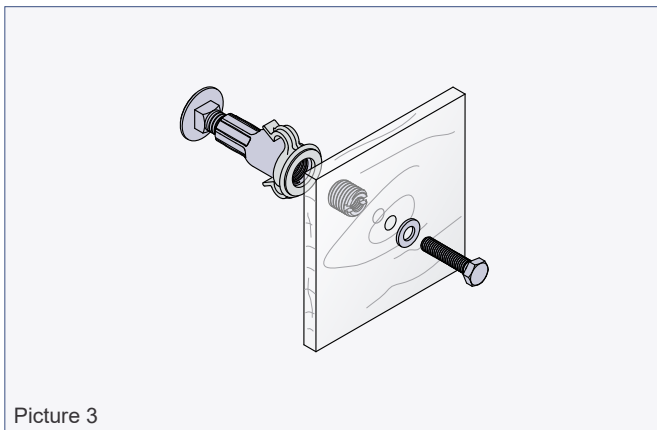
Picture 1

Table 1: Dimensions of the Threaded adapter

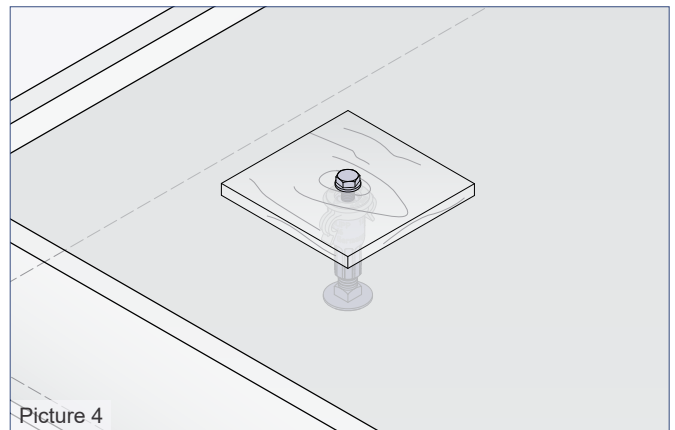
| Ref.-No. | Type RD/M | M _A | M _I | H [mm] | Weight [kg/100 pcs.] |
|-----------|-----------|----------------|----------------|--------|----------------------|
| 72GST1206 | 12 | M12 | M6 | 16 | 1.0 |
| 72GST1406 | 14 | M14 | M6 | 16 | 2.0 |
| 72GST1608 | 16 | M16 | M8 | 16 | 2.0 |
| 72GST1808 | 18 | M18 | M8 | 16 | 3.0 |
| 72GST2008 | 20 | M20 | M8 | 16 | 3.0 |
| 72GST2410 | 24 | M24 | M10 | 16 | 5.0 |
| 72GST3010 | 30 | M30 | M10 | 16 | 8.0 |
| 72GST3610 | 36 | M36 | M10 | 16 | 11.0 |
| 72GST4210 | 42 | M42 | M10 | 16 | 16.0 |
| 72GST5210 | 52 | M52 | M10 | 16 | 25.0 |



Picture 2



Picture 3



Picture 4