

Lifting insert double-sided



VB3-T-013-en - 01/24 - PDF

Data sheet

Our products from the division BUILDING SOLUTIONS

SERVICES

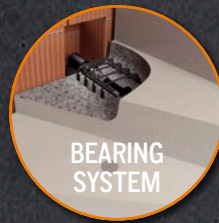
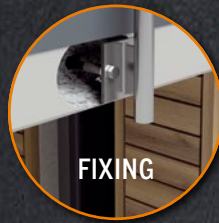
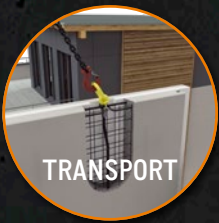
- » On-site tests -> we ensure that your requirements are properly covered by our planning.
- » Test reports -> for your safety and documentation.
- » Trainings -> the knowledge of your employees from planning and production is enhanced by our experts on site, online or via webinar.
- » Planning support -> latest design software, planning documents, CAD data and much more can be downloaded any time from www.philipp-group.de.

HIGH DEMANDS ON PRODUCT SAFETY AND PRACTICALITY

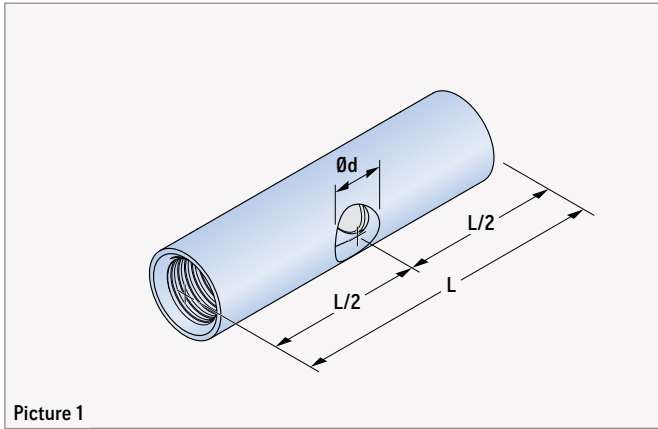
- » Close cooperation with notified bodies and - if necessary - approval of our solutions.

TECHNICAL DEPARTMENT

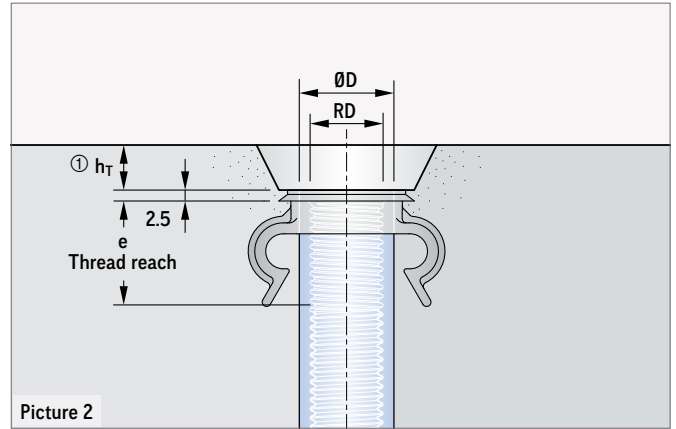
- » Our expert-team will support you at any time during your planning phase with detailed advice.



GENERAL PRODUCT INFORMATION



Picture 1



Picture 2

The Lifting insert double sided is a lifting insert with a cross hole and threads on both sides. The use of Lifting insert double sided requires the Application Instructions for the belonging PHILIPP lifting devices as well as the data sheets of the PHILIPP accessories.



EC-DECLARATION OF CONFORMITY

The EC Declaration of Conformity (DoC) of the Lifting insert double sided can be downloaded from our website www.philipp-gruppe.de or is available on request.



TABLE 1: PERMISSIBLE STEEL LOAD BEARING CAPACITIES AND DIMENSIONS

Ref. no. ② galvanised	Type	perm. F_z ③ (kN)	RD	Dimensions		
				L (mm)	e (mm)	Ød (mm)
71HM12D	RD 12	5.0	12	60	22	8
71HM16D	RD 16	12.0	16	80	27	13
71HM20D	RD 20	20.0	20	95	35	16
71HM24D	RD 24	25.0	24	115	43	18
71HM30D	RD 30	40.0	30	145	56	23
71HM36D	RD 36	63.0	36	175	68	27
71HM42D	RD 42	80.0	42	205	75	32
71HM52D	RD 52	125.0	52	275	95	40

① Mind the embedding depth h_T (picture 2) of the according Recess former (see Application Instruction).

② Also available in stainless steel (ref. no. 77HM__DVA).

③ Load bearing capacity of steel for axial tension. The weight of 1.0 t corresponds to 10.0 kN.
Other sizes on request.

LOAD CLASSES

To differentiate between the various sizes of threaded transport anchors, they are labelled on the threaded sleeve. Among other things, this enables a simple assignment to the corresponding load class of the lifting equipment. (see table 1: Type)

MATERIALS

The Lifting inserts double sided are made of special high precision steel tubes and are galvanised according to common standards. Two internal sealing caps close the threaded part of the insert in order to avoid the penetration of concrete. Galvanisation protects the anchor temporarily from the storage at the producer site to the final installation in the concrete element.

CORROSION

In order to avoid contamination or damage to the concrete surface of the precast concrete element due to corrosion of the transport anchor (stream of rust or similar), the Lifting inserts double sided can be delivered in stainless steel alternatively.



FURTHER QUESTIONS

If you have further questions, please have a look at our website www.philipp-gruppe.de or call our technical department under +49 6021 40 27-318 resp. send an email to technik@philipp-gruppe.de.



**PHILIPP GmbH
Headquarters**

Lilienthalstraße 7-9
63741 Aschaffenburg

+49 6021 40 27-0

info@philipp-gruppe.de

**PHILIPP GmbH
Production and logistics**

Hauptstraße 204
63814 Mainaschaff

+49 6021 40 27-0

info@philipp-gruppe.de

**PHILIPP GmbH
Office Coswig**

Roßlauer Straße 70
06869 Coswig/Anhalt

+49 34903 6 94-0

info@philipp-gruppe.de

**PHILIPP GmbH
Office Neuss**

Sperberweg 37
41468 Neuss

+49 2131 3 59 18-0

info@philipp-gruppe.de



PHILIPP Vertriebs GmbH

Pfaffing 36
5760 Saalfelden / Salzburg

+43 6582 7 04 01

info@philipp-gruppe.at



Visit us!

www.philipp-group.de