

Hexagonal plate anchor



Our products from the division BUILDING SOLUTIONS

SERVICES

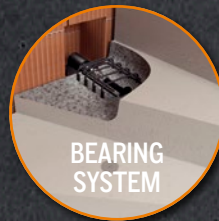
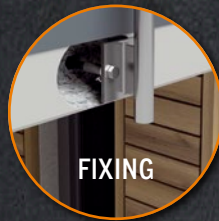
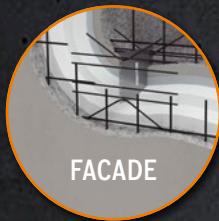
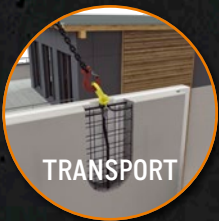
- » On-site tests -> we ensure that your requirements are properly covered by our planning.
- » Test reports -> for your safety and documentation.
- » Trainings -> the knowledge of your employees from planning and production is enhanced by our experts on site, online or via webinar.
- » Planning support -> latest design software, planning documents, CAD data and much more can be downloaded any time from www.philipp-group.de.

HIGH DEMANDS ON PRODUCT SAFETY AND PRACTICALITY

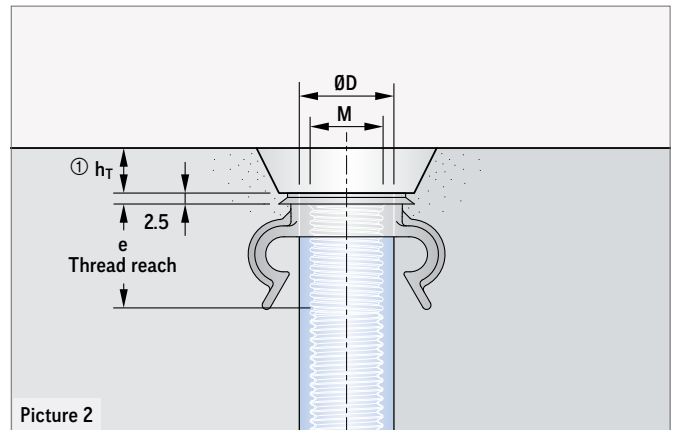
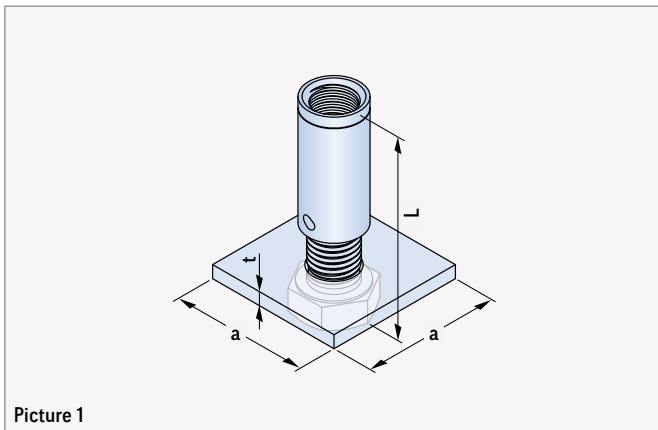
- » Close cooperation with notified bodies and - if necessary - approval of our solutions.

TECHNICAL DEPARTMENT

- » Our expert-team will support you at any time during your planning phase with detailed advice.



GENERAL PRODUCT INFORMATION



The Hexagonal plate anchor is part of the PHILIPP transport anchor system. The use of the Hexagonal plate anchor requires the compliance with the Application Instructions for the belonging PHILIPP lifting devices as well as the data sheets of the depending PHILIPP accessories.



EC-DECLARATION OF CONFORMITY

The EC Declaration of Conformity (DoC) of the Hexagonal plate anchor can be downloaded from our website www.philipp-gruppe.de or is available on request.



TABLE 1: PERMISSIBLE STEEL LOAD BEARING CAPACITIES AND DIMENSIONS

Ref. no. ② galvanised	Type	perm. F_z ③ (kN)	Dimensions					
			M	ØD (mm)	L (mm)	e (mm)	a (mm)	t (mm)
67SKS12055MFL	● M 12	5.0	12	15.0	55	23	40	4
67SKS16075MFL	● M 16	12.0	16	21.0	75	29	50	5
67SKS20090MFL	● M 20	20.0	20	27.0	90	35	60	6
67SKS24110MFL	● M 24	25.0	24	31.0	110	46	80	6

① Mind the embedding depth h_T (picture 2) of the according Recess former (see Application Instruction).

② Socket also available in version stainless steel (ref. no. 75SKS_____MFLVA).

③ Load bearing capacity of steel for axial tension. The weight of 1.0 t corresponds to 10.0 kN.

LOAD CLASSES

To differentiate between the various sizes of threaded transport anchors, they are labelled on the threaded sleeve. Among other things, this enables a simple assignment to the corresponding load class of the lifting equipment. (see table 1: Type)

MATERIALS

The Hexagonal plate anchors consist of a galvanized hexagon head bolt grade 8.8 (ISO 4014), a tack-welded steel plate and a screwed-on insert (with a metric ISO thread). The threaded inserts are made of special high precision steel tubes and are galvanized according to common standards. This galvanization protects the anchor temporarily, from the storage at the producer site to the final installation in the concrete element.

CORROSION

In order to avoid contamination or damage to the concrete surface of the precast concrete element due to corrosion of the transport anchor (stream of rust or similar), the insert can be delivered in stainless steel alternatively. Here the cut surface of the bolt end is protected by a special sealing against corrosion.



FURTHER QUESTIONS

If you have further questions, please have a look at our website www.philipp-group.de or call our technical department under +49 6021 40 27-318 resp. send an email to technik@philipp-gruppe.de.



**PHILIPP GmbH
Headquarters**

Lilienthalstraße 7-9
63741 Aschaffenburg

+49 6021 40 27-0

info@philipp-gruppe.de

**PHILIPP GmbH
Production and logistics**

Hauptstraße 204
63814 Mainaschaff

+49 6021 40 27-0

info@philipp-gruppe.de

**PHILIPP GmbH
Office Coswig**

Roßlauer Straße 70
06869 Coswig/Anhalt

+49 34903 6 94-0

info@philipp-gruppe.de

**PHILIPP GmbH
Office Neuss**

Sperberweg 37
41468 Neuss

+49 2131 3 59 18-0

info@philipp-gruppe.de



PHILIPP Vertriebs GmbH

Pfaffing 36
5760 Saalfelden / Salzburg

+43 6582 7 04 01

info@philipp-gruppe.at



Visit us!

www.philipp-group.de