

# Hexagonal anchor



VB3-T-008-en - 01/24 - PDF

Data sheet

# Our products from the division BUILDING SOLUTIONS

## SERVICES

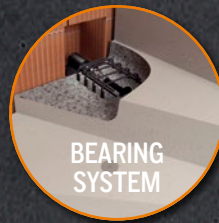
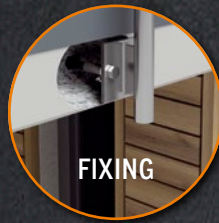
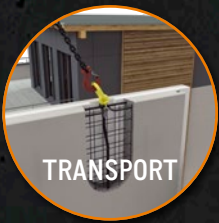
- » On-site tests -> we ensure that your requirements are properly covered by our planning.
- » Test reports -> for your safety and documentation.
- » Trainings -> the knowledge of your employees from planning and production is enhanced by our experts on site, online or via webinar.
- » Planning support -> latest design software, planning documents, CAD data and much more can be downloaded any time from [www.philipp-group.de](http://www.philipp-group.de).

## HIGH DEMANDS ON PRODUCT SAFETY AND PRACTICALITY

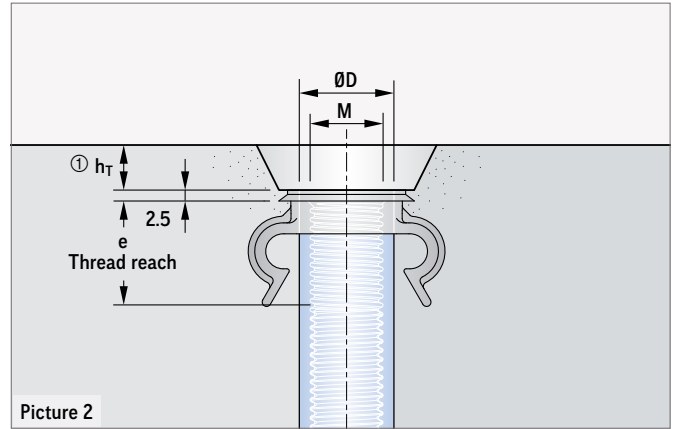
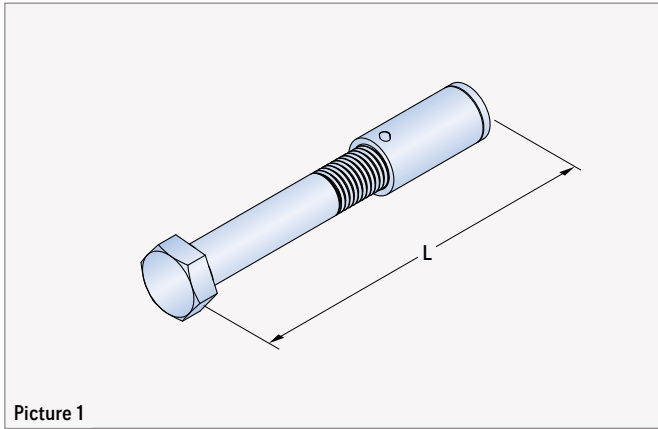
- » Close cooperation with notified bodies and - if necessary - approval of our solutions.

## TECHNICAL DEPARTMENT

- » Our expert-team will support you at any time during your planning phase with detailed advice.



## GENERAL PRODUCT INFORMATION



The Hexagonal anchor is part of the PHILIPP transport anchor system. The use of the Hexagonal anchor requires the Application Instructions for the belonging PHILIPP lifting devices as well as the data sheets of the belonging PHILIPP accessories.



### EC-DECLARATION OF CONFORMITY

The EC Declaration of Conformity (DoC) of the Hexagonal anchor can be downloaded from our website [www.philipp-gruppe.de](http://www.philipp-gruppe.de) or is available on request.



TABLE 1: PERMISSIBLE STEEL LOAD BEARING CAPACITIES AND DIMENSIONS

| Ref. no. ②<br>galvanised | Type   | perm. F <sub>Z</sub><br>③<br>(kN) | Dimensions |            |           |           |
|--------------------------|--------|-----------------------------------|------------|------------|-----------|-----------|
|                          |        |                                   | M          | ØD<br>(mm) | L<br>(mm) | e<br>(mm) |
| 67SKS12100M              | ● M 12 | 5.0                               | 12         | 15.0       | 100       | 23        |
| 67SKS12150M              | ● M 12 | 5.0                               | 12         | 15.0       | 150       | 23        |
| 67SKS16140M              | ● M 16 | 12.0                              | 16         | 21.0       | 140       | 29        |
| 67SKS16220M              | ● M 16 | 12.0                              | 16         | 21.0       | 220       | 29        |
| 67SKS20150M              | ● M 20 | 20.0                              | 20         | 27.0       | 150       | 35        |
| 67SKS20180M              | ● M 20 | 20.0                              | 20         | 27.0       | 180       | 35        |
| 67SKS20270M              | ● M 20 | 20.0                              | 20         | 27.0       | 270       | 35        |
| 67SKS24200M              | ● M 24 | 25.0                              | 24         | 31.0       | 200       | 46        |
| 67SKS24320M              | ● M 24 | 25.0                              | 24         | 31.0       | 320       | 46        |

① Mind the embedding depth  $h_T$  (picture 2) of the according Recess former (see Application Instruction).

② Socket also available in version stainless steel (ref. no. 75SKS\_\_\_MVA).

③ Load bearing capacity of steel for axial tension. The weight of 1.0 t corresponds to 10.0 kN.

### LOAD CLASSES

To differentiate between the various sizes of threaded transport anchors, they are labelled on the threaded sleeve. Among other things, this enables a simple assignment to the corresponding load class of the lifting equipment. (see table 1: Type)

### MATERIALS

The Hexagonal anchors consist of a galvanized hexagon head bolt grade 8.8 (ISO 4014) with screwed-on insert (with a metric ISO thread). The threaded inserts are made of special high precision steel tubes and are galvanized according to common standards. This galvanization protects the anchor temporarily, from the storage at the producer site to the final installation in the concrete element.

### CORROSION

In order to avoid contamination or damage to the concrete surface of the precast concrete element due to corrosion of the transport anchor (stream of rust or similar), the insert can be delivered in stainless steel alternatively. Here the cut surface of the bolt end is protected by a special sealing against corrosion.



### FURTHER QUESTIONS

If you have further questions, please have a look at our website [www.philipp-group.de](http://www.philipp-group.de) or call our technical department under +49 6021 40 27-318 resp. send an email to [technik@philipp-gruppe.de](mailto:technik@philipp-gruppe.de).



**PHILIPP GmbH  
Headquarters**

Lilienthalstraße 7-9  
63741 Aschaffenburg

+49 6021 40 27-0

info@philipp-gruppe.de

**PHILIPP GmbH  
Production and logistics**

Hauptstraße 204  
63814 Mainaschaff

+49 6021 40 27-0

info@philipp-gruppe.de

**PHILIPP GmbH  
Office Coswig**

Roßlauer Straße 70  
06869 Coswig/Anhalt

+49 34903 6 94-0

info@philipp-gruppe.de

**PHILIPP GmbH  
Office Neuss**

Sperberweg 37  
41468 Neuss

+49 2131 3 59 18-0

info@philipp-gruppe.de



**PHILIPP Vertriebs GmbH**

Pfaffing 36  
5760 Saalfelden / Salzburg

+43 6582 7 04 01

info@philipp-gruppe.at



Visit us!

[www.philipp-group.de](http://www.philipp-group.de)