

# Spherical head flat steel anchor





# Our products from the division BUILDING SOLUTIONS

## SERVICES

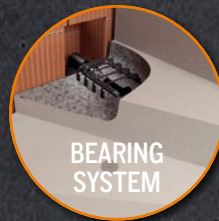
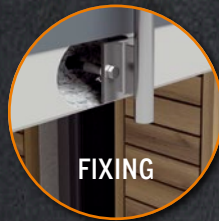
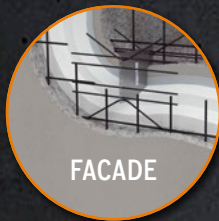
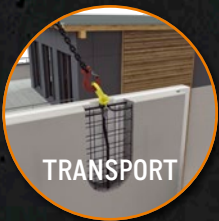
- » On-site tests -> we ensure that your requirements are properly covered by our planning.
- » Test reports -> for your safety and documentation.
- » Trainings -> the knowledge of your employees from planning and production is enhanced by our experts on site, online or via webinar.
- » Planning support -> latest design software, planning documents, CAD data and much more can be downloaded any time from [www.philipp-group.de](http://www.philipp-group.de).

## HIGH DEMANDS ON PRODUCT SAFETY AND PRACTICALITY

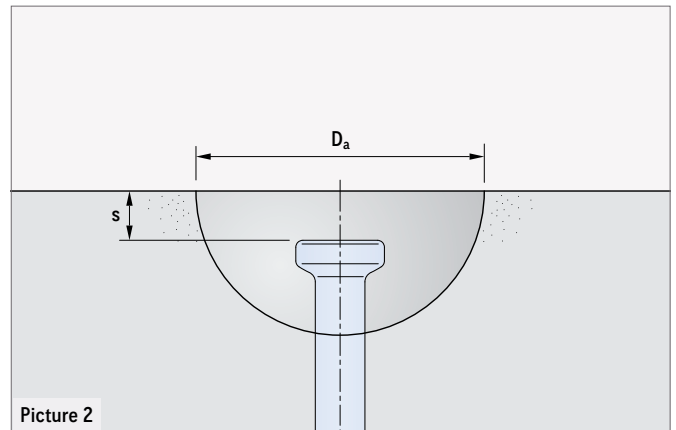
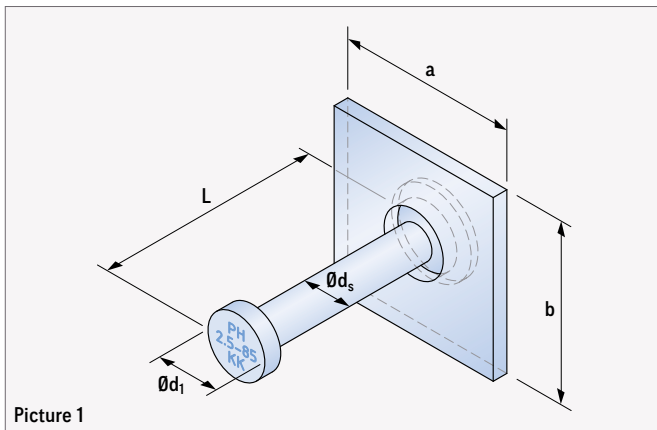
- » Close cooperation with notified bodies and - if necessary - approval of our solutions.

## TECHNICAL DEPARTMENT

- » Our expert-team will support you at any time during your planning phase with detailed advice.



## GENERAL PRODUCT INFORMATION



The Spherical head flat steel anchor is designed to be used in flat concrete elements, such as slabs. Its use requires also the compliance with the Application Instruction for the belonging lifting device (Spherical head lifting clutch). The anchor may only be used in combination with the mentioned original PHILIPP lifting device.

Depending on the individual load case it might be necessary to contact our technical department prior to use of the Spherical head flat steel anchor.

With matching recess formers (see data sheet PHILIPP Accessories) the Spherical head flat steel anchor is fixed to the mould before concreting.

TABLE 1: DIMENSIONS OF THE SPHERICAL HEAD FLAT STEEL ANCHOR

Ref. no.	Type	perm. $F_z$ ① (kN)	Dimensions					
			L (mm)	$\text{Ø}d_s$ (mm)	$\text{Ø}d_1$ (mm)	a × b (mm)	s (mm)	$D_a$ (mm)
81-025-055FL	KK 2.5	25.0	55	14	25	70 × 70	11	74
81-025-120FL	KK 2.5	25.0	120	14	25	70 × 70	11	74
81-050-055FL	KK 5.0	50.0	55	20	36	90 × 90	15	94
81-050-065FL	KK 5.0	50.0	65	20	36	90 × 90	15	94
81-050-110FL	KK 5.0	50.0	110	20	36	90 × 90	15	94
81-100-115FL	KK 10.0	100.0	115	28	46	90 × 90	15	118

① Load bearing capacity of steel for axial tension. The weight of 1.0 t corresponds to 10.0 kN.

### LOAD CLASSES

To differentiate between the various sizes of spherical head transport anchors, they are labelled on the anchor head. Among other things, this enables a simple assignment to the corresponding load class of the lifting equipment. (see table 1: Type)

### MATERIALS

The Spherical head flat steel anchor consists of a standardised round steel with a forged foot and head as well as a steel plate fixed to the foot. In following versions the anchor can be supplied: electro-galvanised, hot-dip galvanised or stainless steel.

### CORROSION

If concrete elements with installed Spherical head flat steel anchors are stored outside for a longer time (contact with rain or humidity causes moisture insight the recesses) corrosion may reduce the bearing capacity of the Spherical head flat steel anchor. Therefore the anchor may fail under load. In addition, marks on the concrete surface caused by corrosion may appear.



### EC-DECLARATION OF CONFORMITY

The EC Declaration of Conformity (DoC) of the Spherical head flat steel anchor can be downloaded from our website [www.philipp-gruppe.de](http://www.philipp-gruppe.de) or is available on request.



### FURTHER QUESTIONS

If you have further questions, please have a look at our website [www.philipp-gruppe.de](http://www.philipp-gruppe.de) or call our technical department under +49 6021 40 27-318 resp. send an email to [technik@philipp-gruppe.de](mailto:technik@philipp-gruppe.de).





**PHILIPP GmbH  
Headquarters**

Lilienthalstraße 7-9  
63741 Aschaffenburg

+49 6021 40 27-0

info@philipp-gruppe.de

**PHILIPP GmbH  
Production and logistics**

Hauptstraße 204  
63814 Mainaschaff

+49 6021 40 27-0

info@philipp-gruppe.de

**PHILIPP GmbH  
Office Coswig**

Roßlauer Straße 70  
06869 Coswig/Anhalt

+49 34903 6 94-0

info@philipp-gruppe.de

**PHILIPP GmbH  
Office Neuss**

Sperberweg 37  
41468 Neuss

+49 2131 3 59 18-0

info@philipp-gruppe.de



**PHILIPP Vertriebs GmbH**

Pfaffing 36  
5760 Saalfelden / Salzburg

+43 6582 7 04 01

info@philipp-gruppe.at



Visit us!

[www.philipp-group.de](http://www.philipp-group.de)